

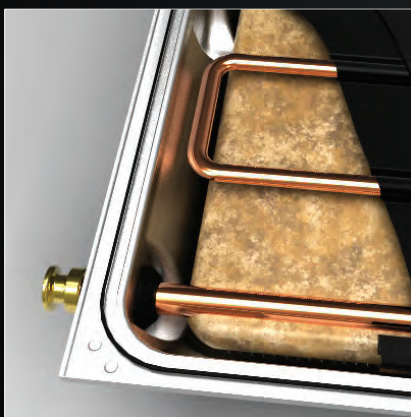


flat-plate thermal collector **TS530/M**

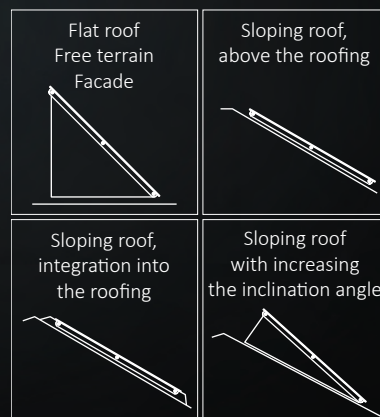
Horizontal version of popular TS500 collector. With its increased area of 2.5 m², this collector is suitable especially for multi-dwelling and industrial buildings, tourist facilities and other installations where larger number of collectors is needed.

Thanks to its smaller height, you can minimize the wind effects or make the collectors less visible. The TS530/M collector has higher resistance to harsh climatic conditions. It can be installed on facades and balconies.

Why choose TS530/M?



This horizontal collector is best suited for installations on balconies and facades, and it is irreplaceable for installations on high building.





- collector case
- copper meander
- thermal insulation
- flat-plate absorber
- glazing laths
- solar safety glass
- thermowell
- hydraulic connections

Flat-plate thermal collector TS530/M

Flat-plate collector designed for horizontal installation (on facades, balconies, flat roofs of high building etc.).

It is designed for solar systems With circulating pumps. Collectors are connected in parallel to each other. Maximum 5 collectors can be connected in one row.

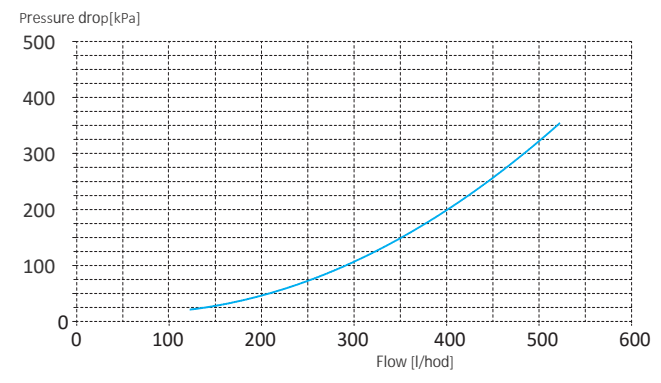
Collector's base consists of a compact pressed metal case made of Al-Mg sheet. A solar safety glass is attached to the case by glazing laths made of anodized aluminium profiles.

Absorber is made of specially shaped aluminium sheet with selective conversion layer. The sheet spans a copper pipe meander (patented solution).

Collector TS 530/M is produced in the following variants:

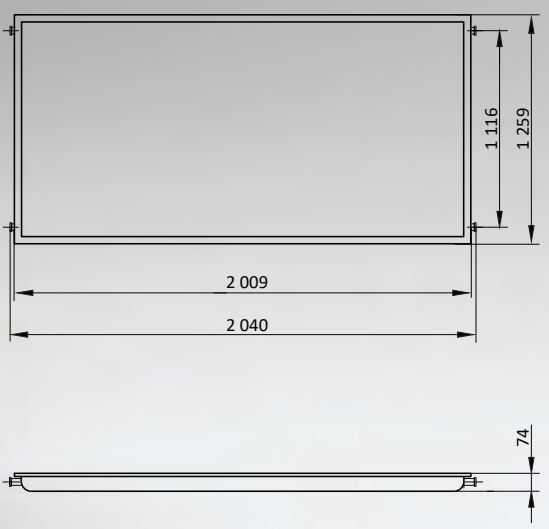
- with flanged connections (connection to solar circuit is provided by quick couplers $\varnothing 26$ mm)
- with union nut connections

TS530/M (P)	with flanged connections	S1614
TS530/M (M)	with union nut connections	S1620



* Technical changes reserved

Dimensions



Technical parameters:

Dimensions	1 259 x 2 009 x 74 mm
Gross area	2,53 m ²
Absorption area	2,26 m ²
Aperture area	2,26 m ²
Linkage dimensions	2 040 mm
Weight	46 kg
Liquid content	2,1 l
Max. operation pressure of heat transfer liquid	600 kPa
Recommended flow rate of heat transfer liquid	30-100 l/h per one collector
Connections	<ul style="list-style-type: none"> • union nut connections 3/4" • flanged pipe connections $\varnothing 26$mm
Thermowell	for sensor $\varnothing 6$ mm
Cover glass	solar safety glass, thickness 4 mm
Collector case	stamping made of noncorrosive Al-Mg sheet
Thermal insulation	mineral felt, thickness 40mm
Selective absorber coating	ALOX (čierny)
Solar absorptivity $a_{AM1.5}$	95%
Thermal emissivity $e_{82^{\circ}C}$	13% ALOx
Optical efficiency	77%
Recommended operation temperature	below 100°C
No-load temperature (1000 W/m², 30°C)	189°C
Max. thermal power output of the collector (1000 W/m²)	1 788 W



THERMO/SOLAR Žiar s.r.o.
 Na vartičke 14
 965 01 Žiar nad Hronom
 Tel.: +421-45-601 6080
 E: info@thermosolar.sk
 W: www.thermosolar.sk